



Distributor

DTS 2345. Serial Distributor

The DTS 2345. Serial Distributor is a signal distributor for serial interfaces (RS 232 and RS 422).

The distributor consists of two identical lines which operate independently of each other.

Each line has one input and three outputs. Return signal can be configured individually for each output.

Each input and output interface is individually configurable as a RS 232 or RS 422 interface. It is

not necessary that the input and output signals are configured in the same way.

The voltage level of all output signals is monitored. If one signal fails, the alarm relay is activated.

The input signals of both input lines can be bridged. If a particular high number of outputs are necessary, the unused input interface can be used as cascading output straight to another serial distributor.

DTS 2345.Serial Distributor - Technical details

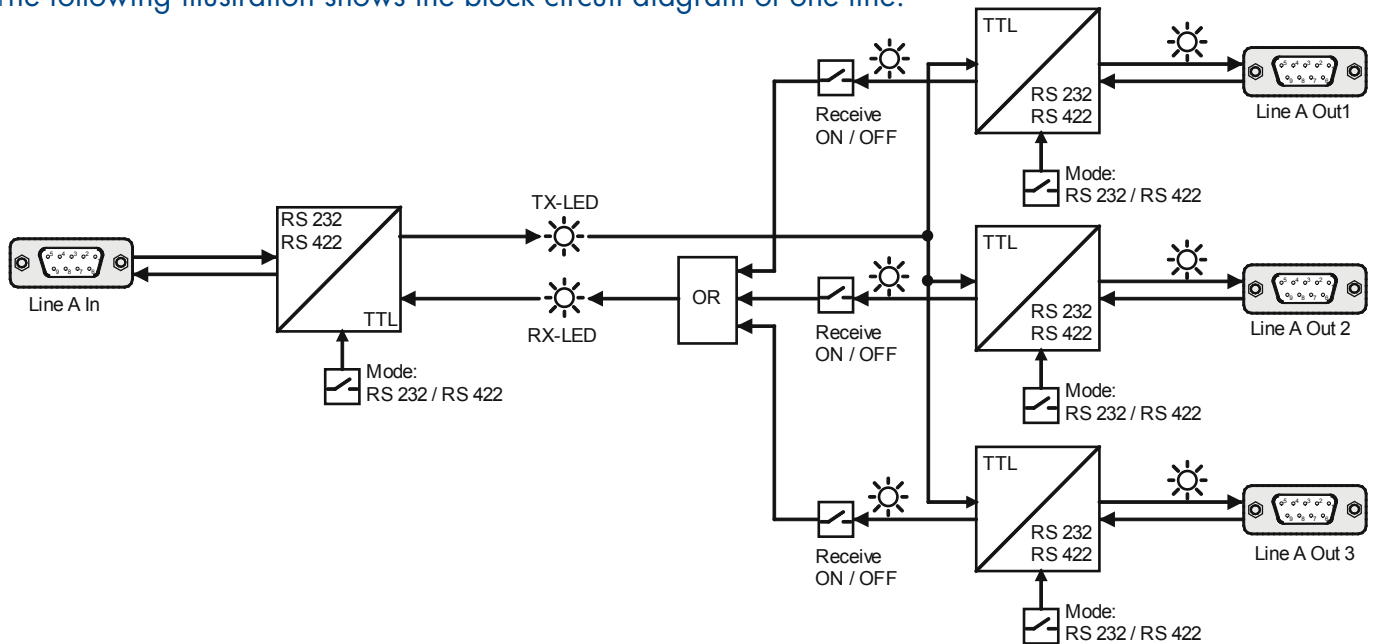
Special features

- Signal level monitoring of each output interface
- All input and output signals are indicated with LEDs
- Red alarm LED indicates at least one active error
- Each input and output can be configured individually as RS 232 or RS 422
- The input signals of both input lines can be bridged

Technical data

- External power supply: 24 - 65 VDC (< 20 W)
- Operating temperature: -5...+50°C
- Housing: 19" rack / 1 HU
- Item number: 204701

The following illustration shows the block circuit diagram of one line.



Bridge mode

If a particular high number of outputs are necessary, the unused input interface can be wired as cascading output straight to another serial distributor.

